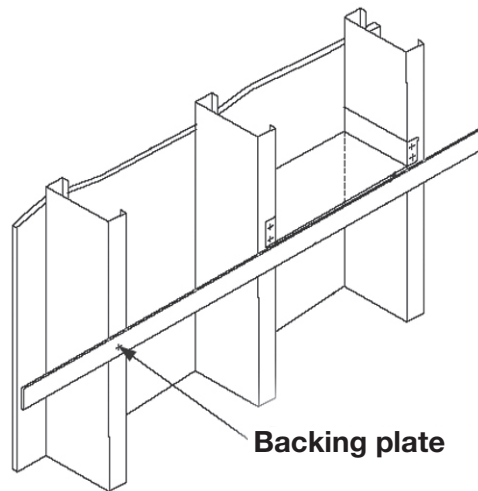


Backing Plate



Standard thickness (mils)	L.G., 33, 43, 54, 68
Standard WEB (in.)	1-1/2" to 12"

Our backing plates conform to Canadian steel standards. They are available in standard 10 foot lengths. They are available in the lengths and thicknesses stated in the above table. You may also order dimensions, thicknesses and lengths that correspond to your project needs.

Standards:

Standards applicable to steel stud systems,
trim and accessories:

Steel profile, thickness and dimensions - ASTM C645

Steel grade - ASTM A1003

Coating (Galvanization) - ASTM A653



Imperial
Manufacturing Group®

40, RUE INDUSTRIAL PARK STREET
RICHIBUCTO, NB CANADA E4W 4A4
TOLL FREE: 800 561-3100
WWW.IMPERIALGROUP.CA