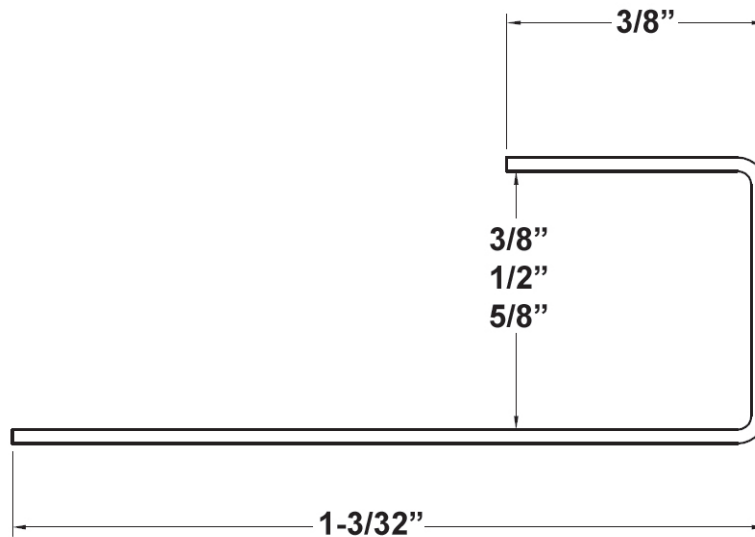


# J Trim



Our metal J trims conform to Canadian steel standards. They are available in standard 10' lengths in 3/8", 1/2" and 5/8" thicknesses. J trims serve to protect sides of gypsum panels around doors and windows or when gypsum panels rest on other materials.

## Standards:

Standards applicable to steel stud systems,  
trim and accessories:

Steel profile, thickness and dimensions - ASTM C645

Steel grade - ASTM A1003

Coating (Galvanization) - ASTM A653



**Imperial**  
Manufacturing Group®

40, RUE INDUSTRIAL PARK STREET  
RICHIBUCTO, NB CANADA E4W 4A4  
TOLL FREE: 800 561-3100  
[WWW.IMPERIALGROUP.CA](http://WWW.IMPERIALGROUP.CA)