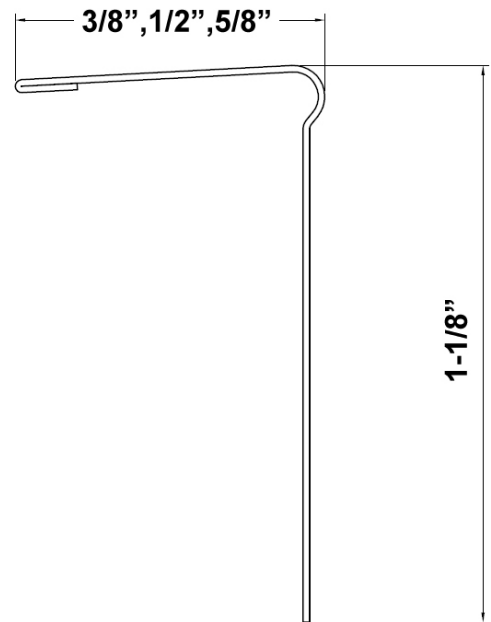
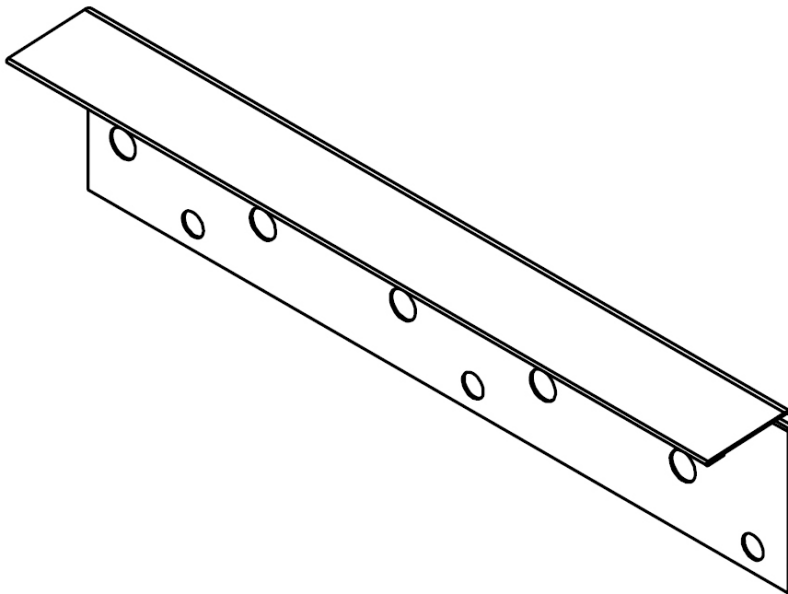


L Trim



Our metal L trims conform to Canadian steel standards. They are available in standard 10' lengths with 3/8", 1/2" or 5/8" finished side. L Trims serve to protect sides of gypsum panels around doors and windows when no moulding is installed.

Standards:

Standards applicable to steel stud systems, trim and accessories:

Steel profile, thickness and dimensions - ASTM C645

Steel grade - ASTM A1003

Coating (Galvanization) - ASTM A653



Imperial
Manufacturing Group®

40, RUE INDUSTRIAL PARK STREET
RICHIBUCTO, NB CANADA E4W 4A4
TOLL FREE: 800 561-3100
WWW.IMPERIALGROUP.CA