

STOVE BOARD INSTALLATION INSTRUCTIONS

Imperial

THE IMPERIAL STOVE BOARD IS INTENDED TO BE USED WITH ONLY THE FOLLOWING (AS APPLICABLE):

- Fireplaces complying with the Standard for Factory-Built Fireplaces, UL 127.
- Fireplace stoves complying with the Standard for Fireplace Stoves, UL 737.
- Solid-fuel type room heaters complying with the Standard for Room Heaters, Solid-Fuel Type, UL 1482.
- Fireplace inserts complying with the applicable requirements specified in the Standard for Fireplace Stoves, UL 737, and in the Standard for Room Heaters, Solid-Fuel Type, UL 1482.
- Solid-fuel type room heaters complying with the Standard for Room Heaters, Pellet Fuel-Burning Type, ASTM E1509.

TYPE 1 APPLICATIONS

R-value = 0. For use with appliances that require only ember protection. This product is not to be used with appliances that specify Type 2 thermal floor protection or a specific R-value requirement.

TYPE 2 APPLICATIONS

The R-value of this product is 1.5. This R-value must be equal to or greater than that specified in the heat producing appliance's installation instructions and labeling. This Type 2 Thermal floor protector may be used as a Type 1 Ember Protector.

TOOLS AND HARDWARE REQUIRED

- Hand drill, 1/4" bit and a screwdriver
- Imperial wall spacer kit part #BM0134

OR

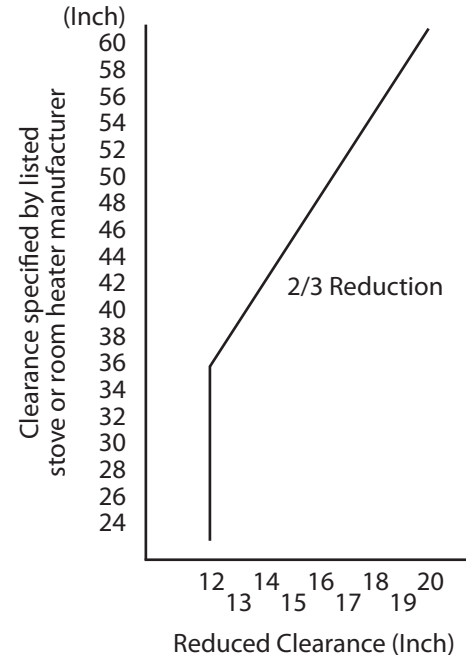
- (10) #10 x 2-1/2" wood screws
- (10) wall anchors
- (10) 1" non combustible spacers

WARNING: Do not cut or trim stove board

A: WALL SHIELD APPLICATION

The Imperial stove board, as a wall shield, is designed to reduce the specified clearance between your appliance and combustible materials. To determine the minimum acceptable clearance between the appliance and the wall when using a wall shield, use the following formula:

$$\text{Reduced clearance} = \text{specified clearance divided } 3 \text{ (to a minimum of } 12\text{'')}$$



$$Cmc = Csc \times (1 - Crp/100)$$

WHERE:

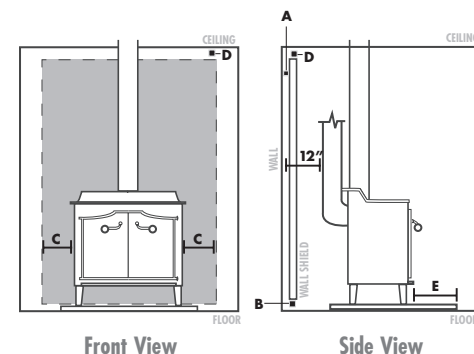
- Cmc is the minimum clearance after reduction.
- Csc is the specified clearance on the heating appliance
- Crp is the clearance reduction percentage specified on the wall protector product.

Required chimney and (flue-gas) conduit, clearances must be maintained.

Since an adequate provision of free air movement is needed behind the wall shield, the following clearances must be maintained:

- A-** 1 inch minimum between the shield and the wall.
- B-** 1 inch between the shield and the floor.
- C-** 18 inches minimum over the extremities of the appliance.
- D-** 3 inches minimum between the shield and the ceiling.
- E-** Wall protector cannot be used to reduce clearances in front of any loading or ash removal doors on the appliance.

INSTALLATION REQUIREMENTS - REAR FLUE EXIT UNITS



- 1) Support your shield 1 inch above floor. (Reset on wood blocks or similar spacing material).
- 2) Lightly mark anchor holes 16" apart around the perimeter of shield. Locate one anchor in each corner. Do not place any anchors directly behind heating unit.
- 3) Place wall shield in position and drill 1/4" holes at marked locations around perimeter of shield, drilling at least 1" into the wall at the same time.
- 4) When all holes are drilled, remove shield.
- 5) Insert one wall anchor into each hole in the wall.
- 6) Reposition shield and align holes.
- 7) Insert #10 x 2-1/2" wood screws through shield, 1" spacers into wall anchors. Do all four corners first. Do not tighten screws securely until all screws are in place.
- 8) When all screws are in place, tighten the four corners first, then the rest.
- 9) Remove supports indicated in step 1.

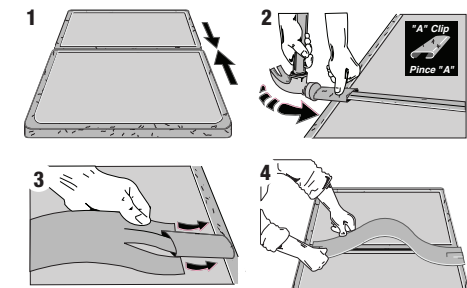
B: FLOOR PROTECTOR

The amount of protection needed under a stove depends on its design. The minimum protection need for any stove is a floor protector extending at least 18" (457 mm) from the loading side and 8" (203 mm) on the other three sides. (The area must not be less than that specified in the heater's or stove's installation instructions). This is not intended to provide protection from radiant heat but to prevent live coals from burning the floor. Certified stoves have floor protection requirements listed on the label.

- The floor protector must be installed in accordance with local building codes.
- The floor protector must be installed on a continuous, flat surface. This floor protector may not be installed on a carpeted surface.

To join two or more stove boards together, use Imperial stove board joining kit (BM0126, sold separately). This kit contains (2) – "A" clips and (2) – 28" metal strips. The purpose of the joiner kit is to prevent live coals from falling between the boards.

JOINING INSTRUCTIONS:



- 1) Place stove boards to be joined, metal face down on a flat surface.
- 2) Inset the "A" clip into the metal edges at seam of boards at each side.
- 3) Insert metal strip into the metal clips as shown.

The stove boards are now ready to be placed in location (install metal surface up towards stove).

NOTE: If side being joined is over 71.1 cm (28") wide, follow steps 1 to 3 using both flat strips in kit and overlapping the strips. Remove the backing from adhesive tape in the kit and adhere the two metal strips together.

The stove board must be installed on a flat continuous surface.

Position your heating unit on the stove board in accordance with all applicable instructions. If an electrical blower system is used in conjunction with your heating unit, it is necessary to install an electrical grounding kit. Installation instructions can be found accompanying the electrical grounding kit. (electrical grounding kit not supplied)

WARNING: Risk of fire and electrical shock. Do not drill into the fire chamber or install the grounding wire in an area where it may cause tripping or be subject to damage.



Imperial Manufacturing Group Inc.

www.imperialgroup.ca