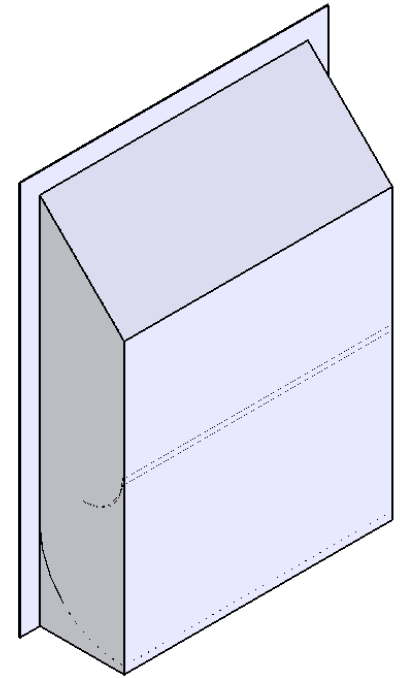
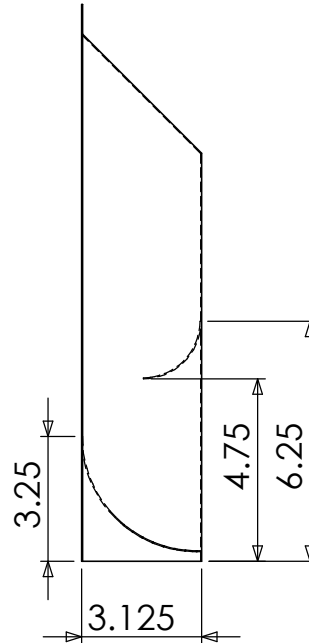
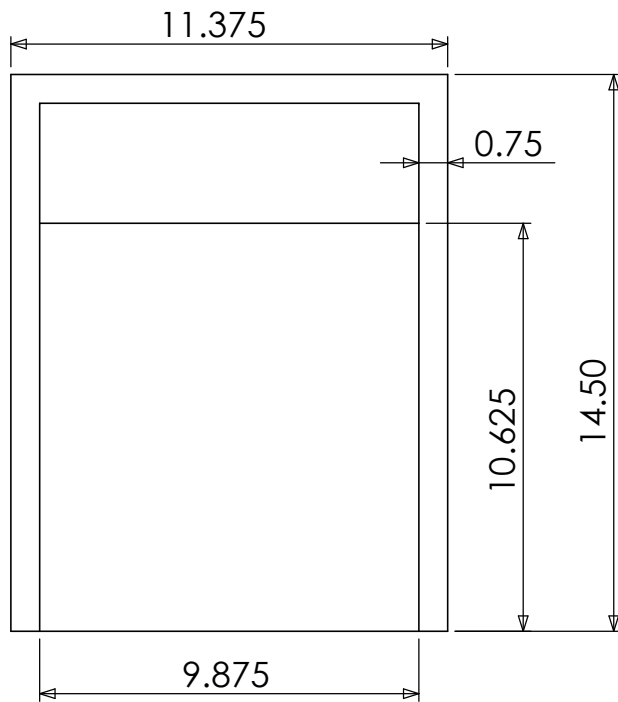

 Imperial <i>Manufacturing Group</i> 40 Industrial Park St Richibucto, NB E4W 4A4 Tel: 506-523-9117 Fax: 506-523-9024 PROPRIETARY AND CONFIDENTIAL THE INFORMATION CONTAINED IN THIS DRAWING IS THE SOLE PROPERTY OF IMPERIAL MANUFACTURING GROUP. ANY REPRODUCTION IN PART OR AS A WHOLE WITHOUT THE WRITTEN PERMISSION OF IMPERIAL MANUFACTURING GROUP IS PROHIBITED.	UNLESS OTHERWISE SPECIFIED:			NAME	DATE	VT0049		
	DIMENSIONS ARE IN INCHES			DRAWN	T.B.			05-08-07
	TOLERANCES:			CHECKED			TITLE:	
	FRACTIONAL ±			ENG APPR.			3" - 4" Anti Gust Hood	
	ANGULAR: MACH ± BEND ±			MFG APPR.				
TWO PLACE DECIMAL ±			Q.A.			SIZE	DWG. NO.	REV
THREE PLACE DECIMAL ±			COMMENTS:			A		
INTERPRET GEOMETRIC TOLERANCING PER:						SCALE:		SHEET 1 OF 1
MATERIAL 0.025"								
FINISH White Alum								
DO NOT SCALE DRAWING								



 Imperial <i>Manufacturing Group</i> 40 Industrial Park St Richibucto, NB E4W 4A4 Tel: 506-523-9117 Fax: 506-523-9024 PROPRIETARY AND CONFIDENTIAL THE INFORMATION CONTAINED IN THIS DRAWING IS THE SOLE PROPERTY OF IMPERIAL MANUFACTURING GROUP. ANY REPRODUCTION IN PART OR AS A WHOLE WITHOUT THE WRITTEN PERMISSION OF IMPERIAL MANUFACTURING GROUP IS PROHIBITED.	UNLESS OTHERWISE SPECIFIED:		NAME	DATE	VT0052 TITLE: 5" - 6" Anti Gust Hood		
	DIMENSIONS ARE IN INCHES TOLERANCES: FRACTIONAL ± ANGULAR: MACH ± BEND ± TWO PLACE DECIMAL ± THREE PLACE DECIMAL ±	DRAWN	T.B.				
	INTERPRET GEOMETRIC TOLERANCING PER:	CHECKED					
	MATERIAL 0.025"	ENG APPR.					
	FINISH	MFG APPR.					
DO NOT SCALE DRAWING	Q.A.				SIZE A DWG. NO. REV SCALE: SHEET 1 OF 1		
	COMMENTS:						